



PROFESSIONAL
FINDER 3.0



BEDIENUNGSANLEITUNG – PROFESSIONAL FINDER 3.0 MIT ONLINE-ORTUNG

Vielen Dank für den Kauf unseres FINDERs. Vor dem Start: Lesen Sie die Gebrauchsanleitung aufmerksam durch, bevor Sie den FINDER zum ersten Mal benutzen. Bitte bewahren Sie die Anleitung für die zukünftige Nutzung gut auf.



USER MANUAL - PROFESSIONAL FINDER 3.0 WITH ONLINE-TRACKING

Thank you for purchasing our FINDER. Before first use: Read the instructions carefully it will introduce you to the handling and operation of the product. Please keep the manual for future reference.



NOTICE D'UTILISATION – PROFESSIONAL FINDER 3.0 AVEC SERVICE DE GEOLOCALISATION EN LIGNE

Nous vous remercions pour l'achat du Finder. Avant votre première utilisation, veuillez lire attentivement la présente notice d'utilisation. Veuillez également à conserver cette notice, elle pourra vous être utile par la suite.



MANUALE D'USO – PROFESSIONAL FINDER 3.0 CON LOCALIZZAZIONE ONLINE

La ringraziamo per aver acquistato il nostro FINDER. Le consigliamo di leggere attentamente il manuale d'uso prima di utilizzare il FINDER e di conservare al sicuro il manuale in caso di necessità.



MANUAL DE INSTRUCCIONES – PROFESSIONAL FINDER 3.0 CON LOCALIZACIÓN ONLINE

Muchas gracias por la compra de nuestro FINDER. Antes de empezar: Lea el manual de instrucciones atentamente antes de utilizar el FINDER por primera vez. Por favor guárdese el manual para una referencia en el futuro.



MANUAL DO UTILIZADOR – PROFESSIONAL FINDER 3.0 COM LOCALIZAÇÃO ONLINE

Muito obrigado pela aquisição do nosso FINDER. Antes de começar a utilizar o produto leia atentamente as instruções deste manual. Conserve este manual em local seguro para consultas futuras.

Table of contents

2	English	
2.1	Scope of delivery	17
2.2	Product graphics	17
2.3	Activation	18
2.4	Installation.....	18
2.5	Front	18
2.6	Back.....	18
2.7	Switching on.....	19
2.8	Use	19
2.9	Meaning LED lights.....	20
2.10	Technical data	20
2.11	Safety instructions	20
2.12	Note on the Disposal of Used Batteries.....	24
2.13	Note on the Disposal of Electric Appliances.....	25



2.1 Scope of delivery

Included in the delivery:

- PAJ PROFESSIONAL Finder 3.0 with built-in 350mAh battery
- M2M SIM card (is already inserted/ do not replace)
- GPS antenna with magnet
- GSM antenna with adhesive tape
- SOS button
- Connector for the car battery (12-24V) incl. fork clamps and fuse

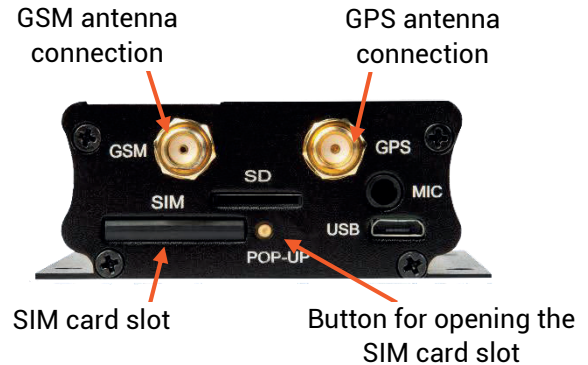
Note: The latest version of this manual is available at:

www.paj-gps.de/finder

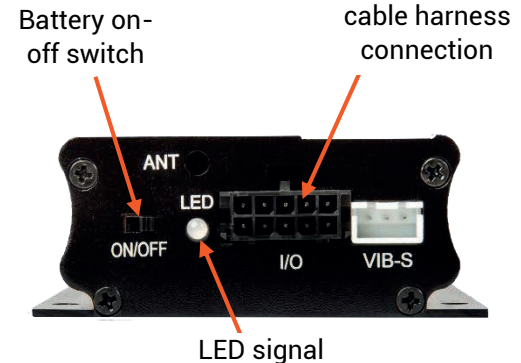
The PAJ-GPS team wishes you lots of fun with your PROFESSIONAL Finder 3.0!

2.2 Product graphics

front



back



2.3 Activation

Note: To activate you need the device ID. Please make a note before installing your FINDER.

In order to use PAJ's PROFESSIONAL Finder 3.0, it must first be activated online.

To do this, please go to
www.start.finder-portal.com
and follow the instructions.



2.4 Installation

The following points must be observed by all means

- ◀ The PROFESSIONAL Finder 3.0 should not be installed near fuel lines or other combustible components in the engine compartment.
- ◀ Mount the PROFESSIONAL Finder 3.0 so that no other components in the vehicle are damaged.
- ◀ Installing the PROFESSIONAL Finder 3.0 may discharge your vehicle battery. Before connecting, check whether your vehicle has a discharge protection and retrofit it if necessary.
- ◀ Please always observe the manufacturer's specifications for your vehicle.

2.5 Front

Connect the GPS antenna and GSM antenna to the brackets provided on the front of the PROFESSIONAL Finder 3.0. The product graphics of the front may help you with this.

Please ensure that the GPS antenna is mounted horizontally with the flat side facing down. The less the GPS antenna is covered, the better the reception.

Note: A magnet is built into the GPS antenna for easy mounting and a double-sided adhesive tape is attached to the GSM antenna

2.6 Back

The cable harness must be connected to the rear of the PROFESSIONAL Finder 3.0. The following steps describe how to connect the cables of the cable harness. An illustration is shown below to support this. The numbers in the figure correspond to the respective steps. Please do not only look at the picture!

- (1.) The SOS button is already connected. We recommend mounting it in the interior of the vehicle in a way that the driver can actuate it. The buttons should not be mounted in a position that is too apparent for thieves. If this is too uncertain

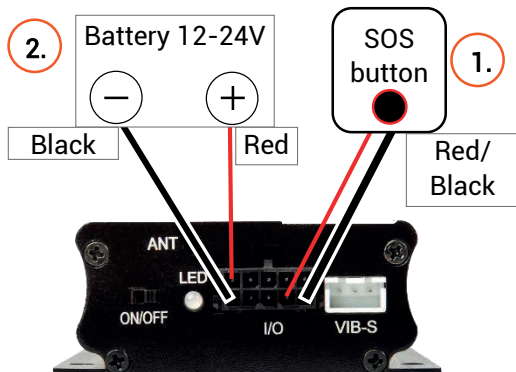
for you, you can also install the buttons in the engine compartment.

- (2.) Connect the black and red thin cables to the battery. The red line with the fuse must be connected to positive pole (+). The black cable must be connected to negative pole (-).

ATTENTION!

The poles must never be reversed
Incorrect connections can damage the charging
cable or the PROFESSIONAL Finder 3.0

Note: When connected to the power supply, the PROFESSIONAL Finder 3.0 switches on immediately and the LED lights emit a signal.



PROFESSIONAL Finder 3.0 by PAJ with Online-Tracking V.1.1 EN
© PAJ UG (haftungsbeschränkt)

2.7 Switching on

If activation is successful, you can switch on the PROFESSIONAL Finder 3.0.

By connecting the FINDER to the power supply it has already been switched on.

However, leave the switch set to "on" so that in case of theft, if the FINDER is disconnected from the external power supply, data can still be transmitted.

For the initial startup of the PROFESSIONAL Finder 3.0 uncovered locations, such as the garden or the terrace (i. e. not inside the home, the garage, the cellar or the like) are recommended.

2.8 Use

Once the activation, switching on and the transfer of a first database has been successful, you can attach the FINDER to a location of your choice and view the position of the FINDER using a smartphone, tablet or PC. Please use our app or go to the following website:

www.finder-portal.com



The portal will support you step by step in its functions.

2.9 Meaning LED lights

green LED – GPRS status

SIGNAL	MEANING
The green LED is constantly lit	GPS signal available

red LED – GPRS status

SIGNAL	MEANING
The red LED flashes slowly	GPRS signal available
The red LED is constantly lit	No GPRS signal available

2.10 Technical data

Dimensions	95 x 66 x 27 mm
GPS accuracy	Up to 5 meters
Standby time	Approx. 1 day
Battery	3,7V 350mAh Lithium-polymer
Weight	120g
Time to start	Cold start: 1–3 min Standby: 35 s in operation: 10 s
Network	GSM/GPRS
Band	GSM 850 MHz (max. 2W)

	GSM 900 MHz (max. 2W)
	DCS 1800 MHz(max. 1W)
	PCS 1900 MHz(max. 1W)
GPS-Chip	SIRF3 Chipsatz
GSM-/GPRS-Modul	CB900
GPS reception	-159dBm
Connector	
external battery	12-24 V
Storage temperature	from -20°C bis +50 C
Operating environment	gfrom -10°C bis +50°C
Humidity	10%-70%

2.11 Safety instructions

Signal words

The following signal words are used in this manual:
WARNING! This classifies a hazard of medium risk level. Failure to comply with the warning may result in serious injury.

Please note: This is a warning about possible damage to property.

Proper use

Please read the safety instructions for this PAJ FINDER, hereinafter only referred to as GPS tracker, carefully before use in order to be able to deploy it properly. The intended use is to employ the GPS

tracker only as described in this manual to locate an object or a living being. Please bear in mind that it is a criminal offence to monitor third parties using a GPS tracker without their consent. If you use it in any other way, this is considered improper use and can lead to damage to property or even personal injury. Please note that the GPS tracker is not a toy for children.

In other countries and regions there are different laws on digital positioning and localization of people, animals and/or objects. PAJ UG is not responsible if such laws or regulations are violated, this is the sole responsibility of the user.

Please note: The manufacturer and dealer accept no liability for damage caused by improper or incorrect use.

Safety

WARNING! RISK OF ELECTROCUTION!

Please Note: Please ensure that the installation is carried out only by a specialist and competent person. Incorrect installation may invalidate the operating permit.

A faulty electrical installation or an excessive mains voltage may cause an electric shock.

- Before use, adjust the mains voltage of the socket with the information on the type plate.
- Before use, make sure that the mains voltage of the socket corresponds with the information on the type plate.
- To be able to disconnect the charging cable from the mains as quickly as possible in the event of a failure, connect the power supply unit where it is easily accessible.
- If you notice any visible damage to your GPS tracker or charging cable, do not use it.
- Use only the original parts supplied to charge the GPS tracker. If the charging cable is damaged, replace it only with original accessories from the manufacturer.
- Never place the GPS tracker near an open fire or hot surfaces.
- The GPS tracker is not protected against humidity and water. Please use and store it only in a dry environment.
- Keep the charging cable away from humidity and do not kink it.

- Do not open the housing of the GPS tracker. Leave the repair to qualified specialists. However, if you carry out repairs yourself, connect the GPS tracker incorrectly or operate it incorrectly, liability and warranty claims are excluded.

Battery mode

WARNING! DANGER OF EXPLOSION AND FIRE!

Below you will find information and instructions on how to use the battery:

- The GPS tracker runs by a lithium polymer battery. It is not exchangeable and must not be removed or opened.
- Make sure that the GPS tracker (also when charging the battery) is kept away from heat sources and high temperatures, such as direct sunlight in a vehicle. Disregard of this instruction may result in destruction of the battery and overheating, explosion and fire.
- Only use the original accessories for the charging process. If the battery is charged otherwise, this may result in overheating, explosion or fire.
- Do not burn or pierce the GPS tracker. Protect it from mechanical damage.

- Do not remove the battery with sharp or pointed objects. Do not drop, disassemble or modify it.
- If a child swallows the battery, seek medical aid immediately!
- Do not place the GPS tracker near metal objects.
- If you want to have the battery replaced, then please contact our support.

WARNING! DANGER OF CAUTERIZATION!

Batteries that leak due to damage may cause burns in contact with the skin. Therefore, never open the battery. However, if the battery leaks, please wear protective gloves.

Electromagnetic compatibility

Please observe all rules and prohibitions and switch off the GPS tracker immediately in danger areas and if it might cause interference. Furthermore, it should not be used in the vicinity of, for example, medical equipment, fuels and chemicals, or in blasting areas. With mobile devices, malfunction due to interference may occur and affect performance. Transformers and very strong magnetic fields must be avoided. Otherwise there may be deviations in the transmission. Disregard of these instructions may cause interference or damage to the GPS tracker.

Cleaning

WARNING! RISK OF DAMAGE!

Below you will find information and instructions on how to clean the GPS tracker:

- Do not use aggressive cleaning agents or brushes for cleaning. Do not clean the GPS tracker with metallic cleaning objects (e.g. knife, metal sponge). This may damage the surface.
- Never put the GPS tracker in water, in a dishwasher (or the like) and do not use a steam cleaner.

Correct cleaning:

1. The surface may be wiped clean with a slightly damp cloth.
2. The GPS tracker should then be wiped dry completely.

Please note: Improper use of the tracker may result in damage.

Dangers for children and people in need of help

Please do not let people (including children) with limited physical, sensory or mental abilities use the GPS tracker. It is considered an exception if they have

previously received instructions from a person responsible for their safety on how to use the device. Please be sure that they not play with small parts (e.g. accessories, etc.). These may be swallowed, leading to suffocation. Inform your child about the dangers and about how to use the GPS tracker.

Storage

If you are not using the GPS tracker for a lengthy period of time, turn it off. Place the tracker in its original packaging or in a carton of the same size. Protect the tracker from dirt and humidity. Keep out of the reach of children.

Declaration of conformity

PAJ UG (haftungsbeschränkt) hereby declares that the radio equipment type Tracker, model PROFESSIONAL Finder 3.0 complies with Directive 2014/53/EU. The full text of the EU Declaration of Conformity is available at: www.paj-gps.de/konformitaetserklaerung/



Disposal of packaging

Dispose of the packaging according to type. Add cardboard to the paper bank, plastics to the recyclables collection.



Disregard of these instructions may shorten the life of the built-in battery or cause damage to the GPS tracker in general.

PAJ UG (haftungsbeschränkt)

Am Wieschen 1

51570 Windeck

Germany

e-mail: info@paj-gps.de

2.12 Note on the Disposal of Used Batteries

The following instruction is aimed at those who use batteries or products with built-in batteries and do not resell them in the form supplied to them (end users).

Acceptance of returned used batteries free of charge

Batteries must not be disposed of with household waste. You are legally obliged to return used batteries so that proper disposal can be guaranteed. You can dispose of used batteries at a municipal collection point or at a local retailer. As a distributor of batteries, we are also obliged to take back used batteries, whereby our obligation to take back only applies to the type of used batteries that we have or had as new batteries in our range. Used batteries of the above type can therefore either be returned to us with sufficient prepayment or directly to our shipping warehouse at the following address free of charge:

Meaning of the battery symbols

Batteries are marked with the symbol of a crossed-out dustbin (see following illustration). This symbol indicates that batteries must not be disposed of with household waste. Batteries containing more than 0.0005 mass percent of mercury, more than 0.002 mass percent of cadmium or more than 0.004 mass percent of lead additionally bear the chemical name of the pollutant they contain below the waste bin symbol. The abbreviation "Cd" stands for cadmium, "Pb" stands for lead and "Hg" stands for mercury.



2.13 Note on the Disposal of Electric Appliances

The Electrical and Electronic Equipment Act (ElektroG) contains a large number of requirements for the handling of electrical and electronic equipment. The most important ones are listed here.

1. Separate collection of old appliances

Electrical and electronic equipment that has become waste is referred to as old appliances. Owners of WEEE must have it collected separately from unsorted municipal waste. In particular, old appliances must not be disposed of with household waste, but in special collection and return systems.

2. Batteries and accumulators

Owners of WEEE must normally separate used batteries and accumulators which are not enclosed by the WEEE from WEEE before returning them to a collection point. This does not apply if the old appliances are handed over to public waste management authorities and separated from other old appliances for the purpose of preparation for reuse.

3. Return options for old appliances

Owners of WEEE from private households can hand it in at the collection points of the public disposal authorities or at the collection points set up by manufacturers or distributors within the meaning of the ElektroG. An online list of collection and return points can be found here: <https://www.ear-system.de/ear-verzeichnis/sammel-und-ruecknahmestellen.jsf>

4. Data protection notice

WEEE often contains sensitive personal data. This applies in particular to information and telecommunications technology devices such as computers and smartphones. In your own interest, please note that each end user is responsible for deleting the data on the old devices to be disposed of.

5. Meaning of the symbol „crossed-out dustbin“

The crossed-out dustbin symbol regularly displayed on electrical and electronic equipment indicates that the respective device must be collected separately from unsorted municipal waste at the end of its service life.



6. Manufacturer registration number

As a manufacturer in the sense of the ElektroG we are registered at the responsible foundation Elektro-Altgeräte Register (Benno-Strauß-Str. 1, 90763 Fürth) under the following registration number: DE33887550



Do you have any questions?

Just contact us,
we are happy to help you!

PAJ UG (haftungsbeschränkt)
Am Wieschen 1
51570 Windeck
Germany

e-mail: info@paj-gps.de
phone: +49 (0) 2292 39 499 59
web: www.paj-gps.de

Best wishes,
your PAJ team



PAJ UG (haftungsbeschränkt)
Am Wieschen 1, 51570 Windeck, Germany